

KitchenAid® Pro Line® Front-Loading Washer

PRODUCT MODEL NUMBERS

KHWW01R

Electrical: To supply the required 3 or 4 wire, single phase, 120/240 volt 60 Hz, AC only electrical supply (or 3 or 4 wire, 120/208 volt electrical supply, if specified on the serial/rating plate) on a separate 30-amp circuit, fused on both sides of the line. A time-delay fuse or circuit breaker is recommended. Connect to an individual branch circuit. Do not have a fuse in the neutral or grounding circuit.

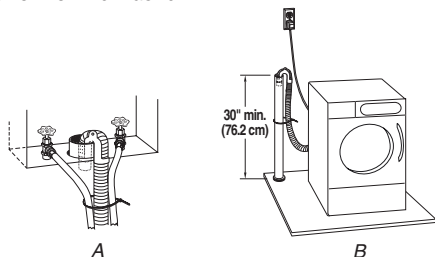
Exhaust venting: Exhaust your dryer to the outside. Four inch diameter vent is required. Rigid or flexible metal exhaust vent must be used. Do not use plastic or metal foil vent. Exhaust outlet hood must be at least 12 inches from the ground or any object that may be in the path of the exhaust.

DRAIN SYSTEMS OPTIONS

Standpipe drain system – wall or floor (view A & B)

The standpipe drain requires a minimum diameter standpipe of 2" (5 cm). The minimum carry-away can be no less than 17 gal. (64 L) per minute.

The top of the standpipe must be at least 30" (76.2 cm) high and no higher than 96" (244 cm) from the bottom of the washer.



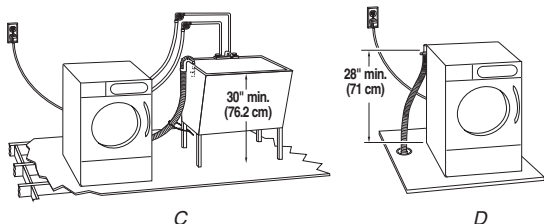
Laundry tub drain system (view A)

The laundry tub needs a minimum 20 gal. (76 L) capacity. The top of the laundry tub must be at least 30" (76.2 cm) above the floor.

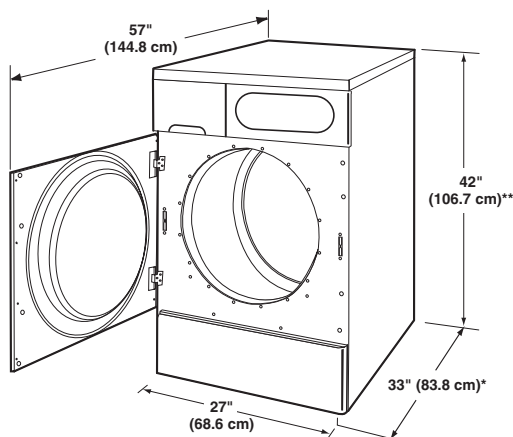
Floor tub drain system (view B)

The floor drain system requires a siphon break that may be purchased separately.

The siphon break must be a minimum of 28" (71 cm) from the bottom of the washer. Additional hoses might be needed.



OVERALL DIMENSIONS

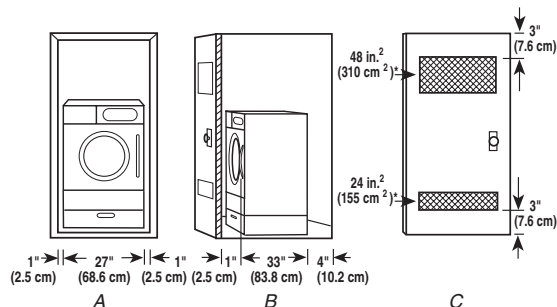


*Includes door handle

**Includes feet extended 1" (2.5 cm)

RECESSED AREA AND CLOSET INSTALLATION WITH OR WITHOUT PEDESTAL

For closet installation, with a door, the minimum ventilation openings in the top and bottom of the door are required. Louvered doors with equivalent air ventilation openings in the top and bottom are acceptable.



A. Recessed area

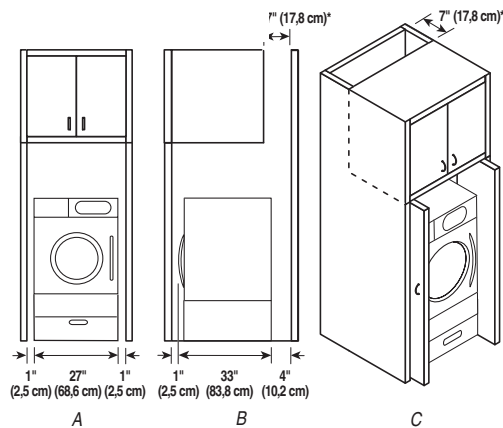
B. Side view - closet or confined area

C. Closet door with vents

*Required spacing

Recommended installation spacing for cabinet installation

For cabinet installation, with a door, the minimum ventilation openings in the top are required.



A. Front view

B. Side view

C. Cabinet with vents